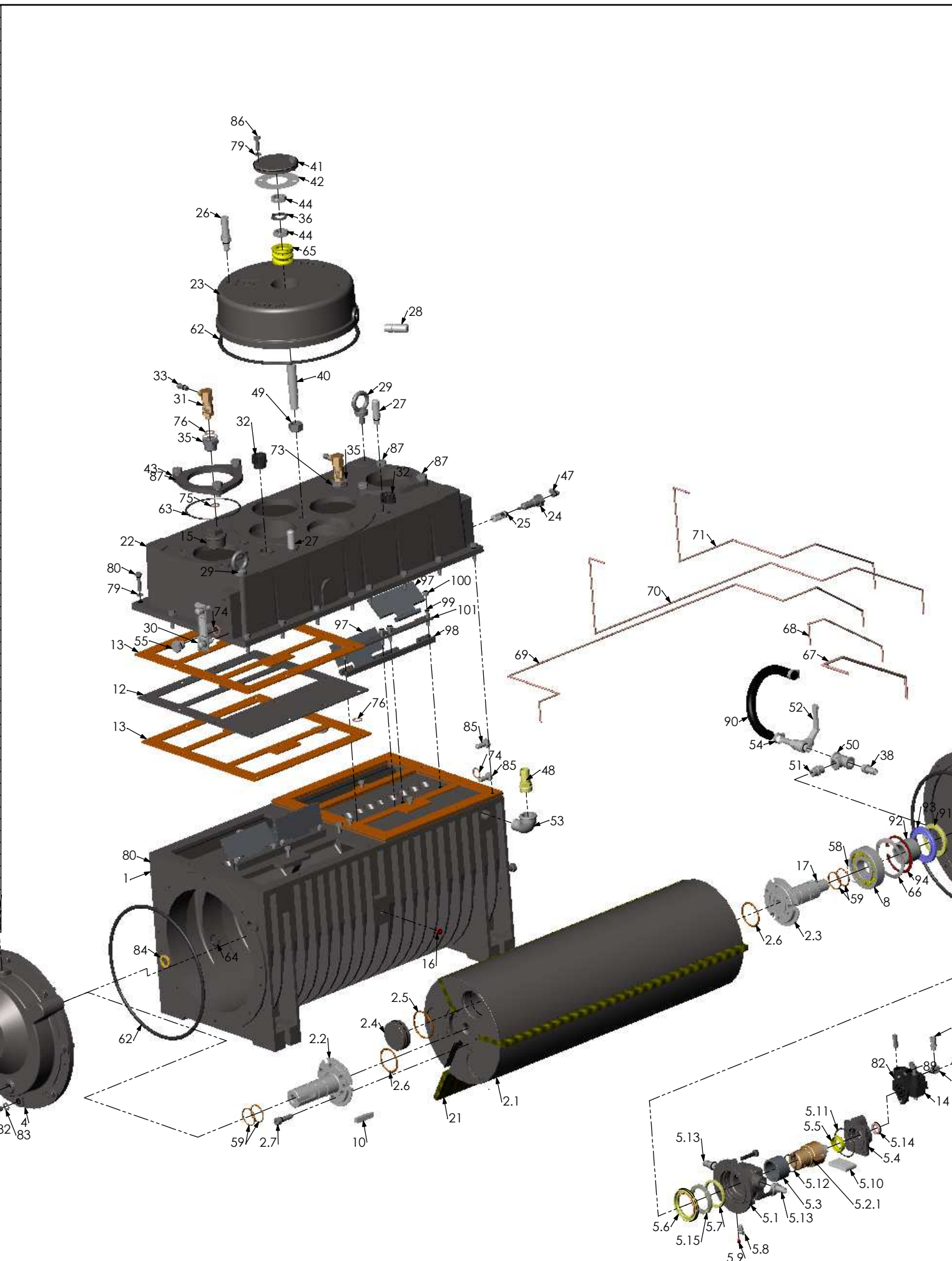


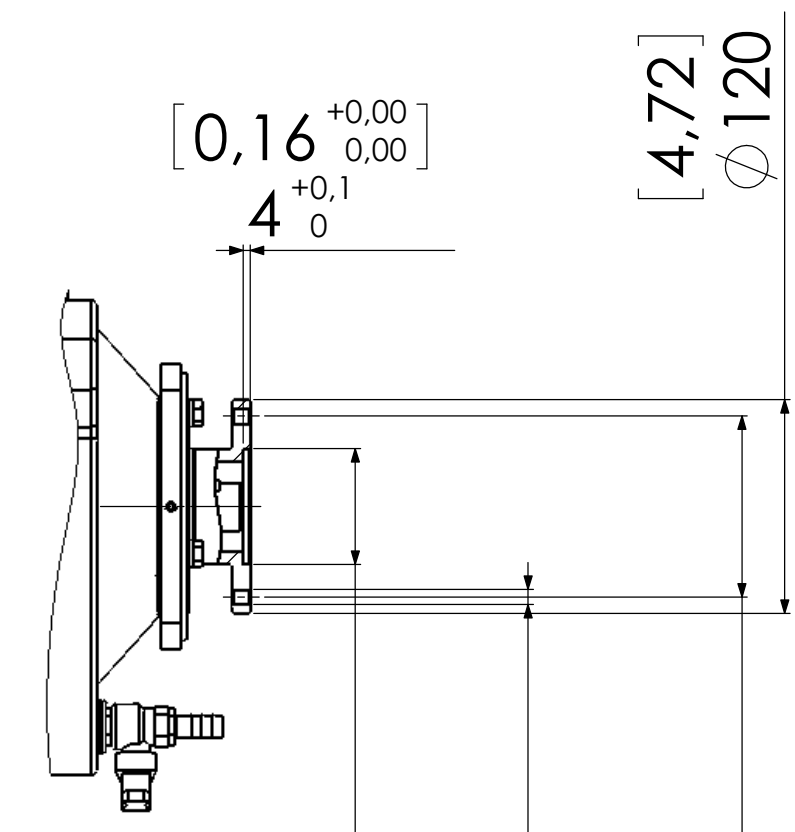
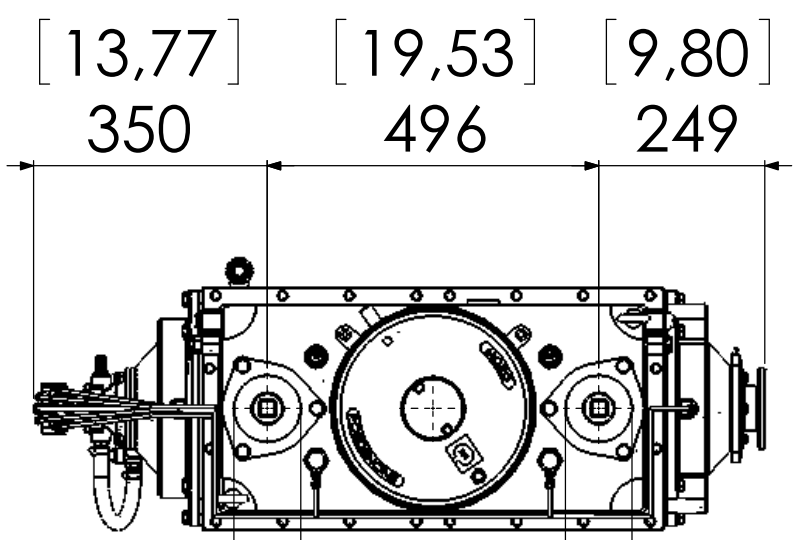
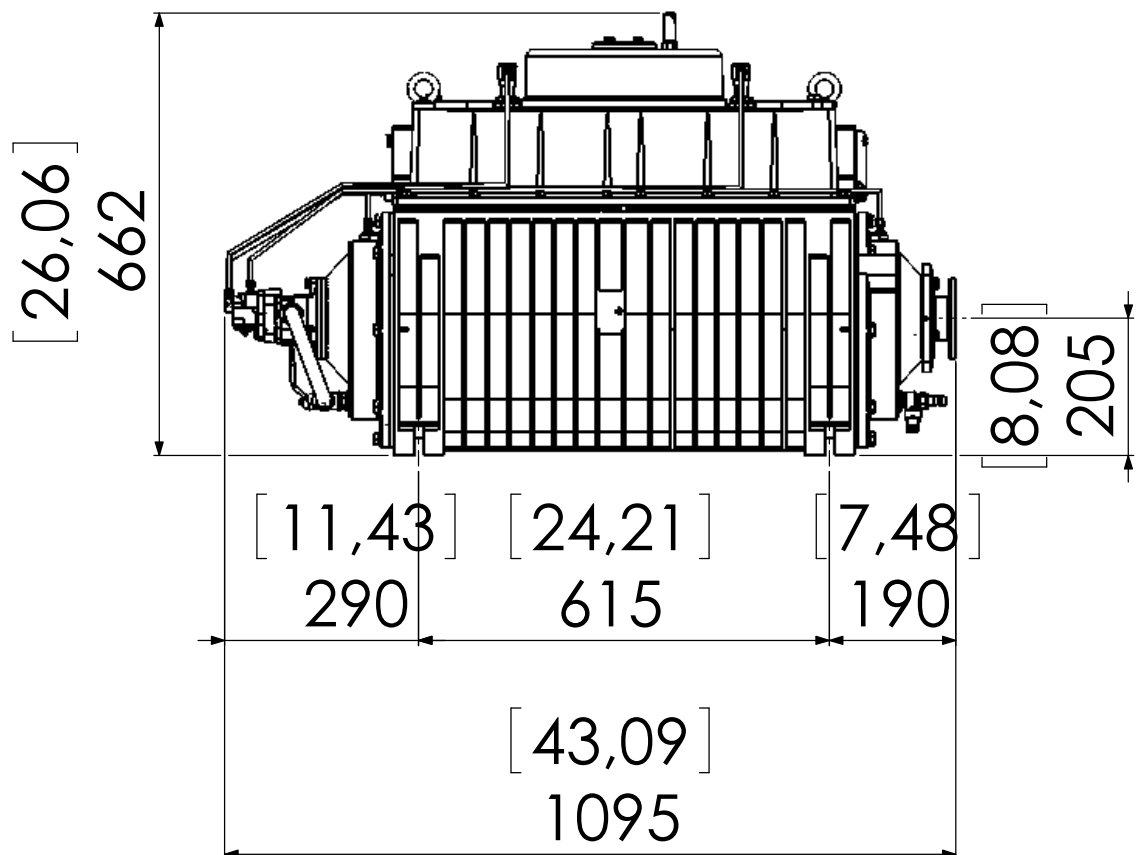
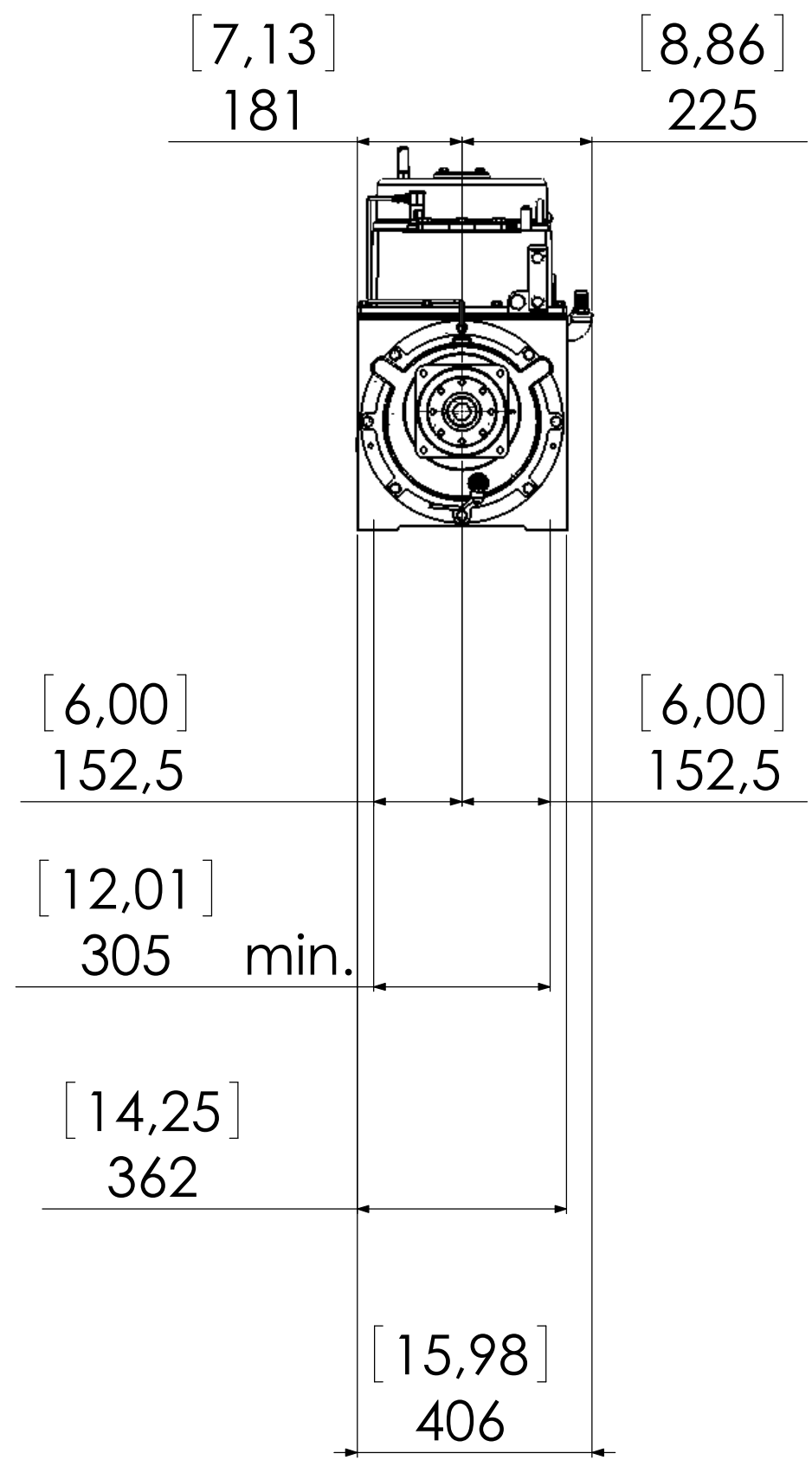


N°	Code / Code	DESCRIZIONE_FRANCESE	DESCRIZIONE_TEDESCO	Q.tà
101	6.623000860-1	SOUPAPE DE RETENUE PLAQUE	RETAINER PLATTEN VENTIL	2
100	47320130003	ÉCROU UNI5542 AUTOFR. M8x1,25-8	MUTTER UNI5542 AUTOFR. M8x1,25-8	8
99	47310190002	PRISONNIER UNI5911 R.M. M8x1,25x	STIFT UNI5911 R.M. M8x1,25x25-8	8
98	6.623000850-1	VANNE GUIDE	VENTILFÜHRUNG	2
97	6.59200090-1	VALVE PM200	VENTIL PM200	4
96	6.963003043-2	ANNEAU OR	O-RING	2
95	6.610401990-1	SUPPORT AVANT PM200	VORDERE STÜTZE PM200	1
94	47360100033	ANNEAU OR	O-RING	2
93	6.921002009-1	ANNEAU DÉTANCHÉITÉ 80x50x8	SIMMERRING 80x50x8	2
92	6.610007251-2	BUISSON 50x40	BUSCH 50x40	2
91	6.1047228-6-2	ANNEAU DÉTANCHÉITÉ 50x72x8	SIMMERRING 50x72x8	2
90	6.657500000-2	TUYAU D'EAU	WASSERLEITUNGSRÖHR	1
89	47300310115	VIS UNI5931 M6x16 ZN	SCHRAUBE UNI5931 M6x16 ZN	2
88	47350130019	RONDELLE ø12.2	SCHIBE ø12.2	6
87	47300250166	VIS ISO 4018 M12x25	SCHRAUBE ISO 4018 M12x25	6
86	47300250083	VIS M8x25	SCHRAUBE M8x25	2
85	47300250124	VIS UNI5739 T.E. TF M10x1,5x25	SCHRAUBE UNI5739 T.E. TF M10x1,5	2
84	47350130031	RONDELLE ø18.2	FEDERSCHIBE ø18.2	1
83	47350130015	RONDELLE D=10.2	SCHIBE D=10.2	16
82	47300250128	VIS M10 X 30	SCHRAUBE M10 X 30	16
81	47300250087	VIS M8x30 T.E ZN 8.8	SCHRAUBE M8x30 T.E ZN 8.8	11
80	47300220090	VIS M8x35 TE ZN	SCHRAUBE M8x35 TE ZN	20
79	47350130011	RONDELLE SCHIBE Ø8	SCHIBE Ø8	28
78	47300250094	VIS TE M8x40	SCHRAUBE TE M8x40	3
77	47350190056	RONDELLE 21x37	FEDERSCHIBE 21x37	1
76	6.683300030-2	RONDELLE EN CUIVRE	DICHTRING	2
75	6.683300070-2	RONDELLE EN CUIVRE	DICHTRING	2
74	6.964014005-2	RONDELLE EN CUIVRE	DICHTRING	2
73	6.683300020-2	RONDELLE	FEDERSCHIBE	2
72	47350160024	RONDELLE	FEDERSCHIBE	2
71	6.676011180-2	HUILE TUYAU	ÖLLEITUNG	1
70	6.676011220-2	HUILE TUYAU	ÖLLEITUNG	1
69	6.676011210-2	HUILE TUYAU	ÖLLEITUNG	1
68	6.676011200-2	HUILE TUYAU	ÖLLEITUNG	1
67	6.67601119-3-2	HUILE TUYAU	ÖLLEITUNG	1
66	6.963005004-2	ANNEAU Ø80	RING Ø80	2
65	6.690000000-2	RESSORT	FEDER	1
64	6.921003100-2	ANNEAU OR 3.53x20.22x27	O-RING 3.53x20.22x27.28	1
63	6.921003137-2	ANNEAU OR 3.53x10.72x117.78	O-RING 3.53x10.72x117.78	2
62	6.921003236-2	ANNEAU OR 6.99x285.10x299.08	O-RING 6.99x285.10x299.08	3
61	6.921003502-2	ANNEAU OR 5.34x89.69x100.37	O-RING 5.34x89.69x100.37	2
60	6.921003501-2	ANNEAU OR 3.53x88.45x95.55	O-RING 3.53x88.45x95.55	2
59	6.921003500-2	ANNEAU OR 2.62x34.60x39.84	O-RING 2.62x34.60x39.84	4
58	6.685000560-2	ANNEAU ÉLASTIQUE	SPRITZRING	1
57	6.685000550-2	ANNEAU	RING	1
56	47300280022	VIS M18x1.5x30 TE 8.8	SCHRAUBE M18x1.5x30 TE 8.8	1
55	6.965029002-2	BOUCHON M18x1.5	STOPSEL M18x1.5	1
54	6.922002002-2	BANDE	SHELLE	2
53	6.925002003-2	MONTAGE 90°3/4"	FITTING 90°3/4"	1
52	6.925029001-2	ROBINET 3/8"x14	WASSERHAHN 3/8"x14	2
51	6.925004001-2	RACCORD 3/4"	NIPPEL 3/4"	1
50	6.925003001-2	RACCORD "T" 3/8"	ANSCHLUß "T" 3/8"	1
49	47320190041	ÉCROU M18x1.5	MUTTER M18x1.5	1
48	6.925046003-2	RACCORD 3/4"	ANSCHLUß 3/4"	1
47	6.924019000-2	RACCORD 90°Ø6-M10x1	ANSCHLUß 90°Ø6-M10x1	1
46	6.924017007-2	RACCORD Ø6-1/8"	ANSCHLUß Ø6-1/8"	1
45	6.924085000-2	RACCORD "L" M10x1-1/8"	ANSCHLUß "L" M10x1-1/8"	1
44	47320220017	ÉCROU M20x1.5	MUTTER M20x1.5	2
43	6.61006201-2	FLASQUE	FLANSCH	2
42	6.680600000-2	JOINT	DICHTUNG	1
41	6.640400010-2	COUVERCLE	DECKEL	1
40	6.621000090-2	PRISONNIER	STIFTSCHRAUBE	1
39	6.961087000-2	GOIJON M6x10 STEI 12K	STIFTSCHRAUBE M6x10 STEI 12K	1
38	6.925046001-2	RACCORD 3/8"x13	ANSCHLUß 3/8"x13	1
37	6.683000010-2	RONDELLE	SCHIBE	1
36	6.683000000-2	RONDELLE DE SÉCURITÉ	SICHERHEIT SCHIBE	1
35	6.924042120-2	RACCORD 3/4"-1/4"	ANSCHLUß 3/4"-1/4"	2
34	6.924061050-2	RACCORD 90°Ø4-1/8"	ANSCHLUß 90°Ø4-1/8"	2
33	6.924063050-2	RACCORD Ø4-1/8"	ANSCHLUß Ø4-1/8"	6
32	6.684500000-2	BOUCHON HUILE 3/4"	ÖL-STOPPFEN 3/4"	2
31	6.453300100-2	GRAISSEUR	OELER	2
30	6.965038102-2	VOJANT DE NIVEAU HUILE	OELANZEIGER	1
29	47530070005	CHEVILLE À OEUillet M12	ISENSCHRAUBE M12	2
28	6.633000020-2	AXE	STIFT	1
27	6.633000000-2	AXE	STIFT	2
26	6.633000010-2	AXE	STIFT	33
25	6.644500000-2	FILTRE HUILE	ÖLFILTER	1



N°	Code / Code	DESCRIZIONE_FRANCESE	DESCRIZIONE_TEDESCO	Q.tà
24	6.673000250-2	RACCORD	ANSCHLUß	1
23	6.626400060-2	DÉVIATEUR M9-M15	UMSCHALTVOORRICHTUNG M9-M15	1
22	6.626400091-2	COLLECTEUR M9-M15	PUMPENBEREITUNG M9-M15	1
21	6.657500920-1	PALETTE PM200	LAMELLE PM200	3
20	6.963005004-2	ANNEAU DE COMPENSATION Ø80	AUSGLEICH RING Ø80	1
19	6.1047188-4-2	ANNEAU DÉTANCHÉITÉ 65x80x7-7.5	SIMMERRING 65x80x7-7.5	1
18	6.1047352-4-2	ANNEAU DÉTANCHÉITÉ 65x80x7 BAB	SIMMERRING 65x80x7 (BAB)	1
17	6.964018009-2	AXE Ø6x35	MUTTER Ø6x35	1
16	6.925070000-2	BOUCHON 1/8"	DECKEL 1/8"	2
15	6.925005005-2	BOUCHON 1 1/4"	STOPSEL 1 1/4"	4
14	6.652400130-1	POMPE À HUILE M15-PM200	OELPUMPE M15-PM200	1
13	6.680600080-2	JOINT	DICHTUNG	4
12	6.671000810-2	PLAQUE	PLATTE	2
11	6.965001000-2	M6x1 GRAISSEUR	M6x1 SCHMIERER	1
10	6.675000010-2	CLAVETTE	FEDER	1
9	6.1047324-9-2	JOINT	DICHTUNG	3
8	6.931021002-2	ROULEMENT 40x90x23 (NJ308ECJ3)	LAGER 40x90x23 (NJ308ECJ3)	2
7	6.1018745-1-2	MOYEU M9-PM200	NABE M9-PM200	1
6	6.610402000-1	SUPPORT ARRIERE PM200	HINTEN SUPPORT PM200	1
5.15	6.1046675-6-2	ROULEMENT (61810)	KUGELLAGER (61810)	1
5.14	6.1032243-9-2	ROULEMENT 17x26x5 (61803-2RS1)	KUGELLAGER 17x26x5 (61803-2RS1)	1
5.13	6.925046001-2	RACCORD 3/8"x13	ANSCHLUß 3/8"x13	2
5.12	6.921003056-2	ANNEAU TORIQUE 34.6x39.84x2.62	RUNDSCHNURRING 34.6x39.84x2.62	1
5.11	6.921003062-2	ANNEAU TORIQUE 60x65.24x2.62	RUNDSCHNURRING 60x65.24x2.62	1
5.10	6.657501050-1	PALETTE	LAMELLE	1
5.9	47310100008	VIS SANS TÊTE M5x10 PG-UNI5927	GEWINDESTIFT M5x10 PG-UNI5927	1
5.8	47630010009	ENGRAISSEUR	STAUFER	1
5.7	6.1047229-5-2	ANNEAU DÉTANCHÉITÉ 50x62x7	SIMMERRING 50x62x7	1
5.6	6.1047228-6-2	ANNEAU DÉTANCHÉITÉ 50x72x8	SIMMERRING 50x72x8	1
5.5	6.921000001-2	ANNEAU DÉTANCHÉITÉ 18x35x10	SIMMERRING 18x35x10	1
5.4	6.1046612-2-2	SUPPORT DE POMPE A HUILE	ÖLPUMPE SUPPORT	1
5.3	6.1046667-6-2	BAGUE	BUCHSE	1
5.2.3	47300310062	VIS M5x16 TCEI 8.8 ZN	SCHRAUBE M5x16 TCEI 8.8 ZN	2
5.2.2	6.1032210-8-2	MAYEU DE LA POMPE DE L'EAU	HUB DER WASSERPUMPE	1
5.2.1	6.1046418-8-2	ROTOR	ROTOR	1
5.2	6.1046434-8-2	ROTOR DE POMPE A EAU	WASSERPUMPENRAD	1
5.1	6.1046669-4-2	CORPS DE POMPE A EAU	BODY DER WASSERPUMPE	1
5	6.1047232-0-2	POMPE A EAU M9-PM200	WASSERPUMPE M9-PM200	1
4	6.610401540-2	FLASQUE AVANT PM200	FLANSCHVORDERSEITE	1
3	6.610401530-2	FLASQUE ARRIERE PM200	HINTEN FLANSCH PM200	1
2.7	47300310257	VIS M10x35 TCEI	SCHRAUBE M10x35 TCEI	1
2.6	6.921003504-2	OR 3.53x49.21x56.27	OR 3.53x49.21x56.27	2
2.5	6.921003503-2	OR 3.53x55.56x62.62	OR 3.53x55.56x62.62	6
2.4	6.684400010-2	BOUCHON	GAP	6
2.3	6.611001160-2	MOYEU PM200	NABE PM200	1
2.2	6.611001150-2	MOYEU PM200	NABE PM200	1
2.1	6.553400940-2	ROTOR PM200	LÄUFER PM200	1
2	6.475300280-2	ROTOR COMPLET	ROTOR KOMPLETT	1
1	6.662400600-2	CORPS GAUCHE	GEHÄUSE INKS	1

BATTIMENTO (Rev.)	VEDI DISTINTA	VERSIONE (Rev.)	CODICE MATERIALE/Revisione			
PROTEZIONE SUPER (Superrevisione)	POMPE					
<b>DECOMPRESSORE PM200 SX</b>						
	TOLLERANZE GENERALI (General tolerances)	UNI - EN 22768-1 - I	PROVA (Check)	PT	DATA (Date)	05.04.2007
	LINEARI (Linear tolerances)	UNI - EN 20286-1 - I	CONTROLLATO (Checked)			
	DI ACCOMPIMENTO (Tolerances of joining)	UNI - EN 20286-1 - I	CONFEZIONATO (Assembled)	PT		
	COSTRUZIONI SALDATE (Welded constructions)	UNI - EN 10320 - A	APPROVATO (Approved)			
<b>6.211003220-2</b>						



[2,56 H7 (+0,00 / 0,00)]  
 Ø 65 H7 (+0,03 / 0)  
 [0,33]  
 N°8 FORI Ø 8,5  
 [4,00 ±0,00]  
 Ø 101,5 ±0,1

[3,94]  
 Ø 100

[3,94]  
 Ø 100

TRATTAMENTO TERM. (Thermal treatment)	MATERIALE (Material)	DIMENSIONI (Dimensions)	CODICE MATERIALE (Material Code)
PROTEZIONE SUPERF. (Superficial protection)	VEDI DISTINTA		
	ALLESTIMENTO (Equipment)		
	POMPE		
	DESCRIZIONE (Description)		
	DECOMPRESSORE PM200 SX		
TOLLERANZE GENERALI (General tolerances)	UNI - EN 22768-1 - f	DISegnATO (Drawn)	PT DATA (Date) 05.04.2007
LINEARI (Linear tolerances)	UNI - EN 20286-1 - f	CONTROLLATO (Checked)	DATA (Date)
DI ACCOPPIAMENTO (Tolerances of joining)		APPROVATO (Approved)	PT DATA (Date)
SALISSE E RAGGI NON QUOTATI (Holes and radii not specified)	PESO GREZZO (Raw weight kg)	PESTI FINITI (Finished weight kg)	CODICE (Code)
			6.211003220-2
Proprietà della FARID INDUSTRIE SpA. Senza autorizzazione della stessa il presente disegno non potrà essere comunque utilizzato per la costruzione dell'oggetto rappresentato né venire comunicato a terzi o riprodotto. La FARID INDUSTRIE SpA tutela i propri diritti a rigore di legge. All proprietary rights reserved FARID INDUSTRIE S.p.A. This drawing shall not be reproduced or in any way utilized for manufacturing the component or unit here in illustrated and must not be released to other parties without written consent. Any infringement will be legally pursued.		QUOTE DA CONTROLLARE (Dimensions to be checked) SOSTITUISCE (Supersedes)	RUQ/OSTA NON SPEC. (Requirements not specified)
FILE No.	6.211003220-2	FORMATO (Fsm.)	SCALA (Scale) 1:8
	last_v02		3/3

